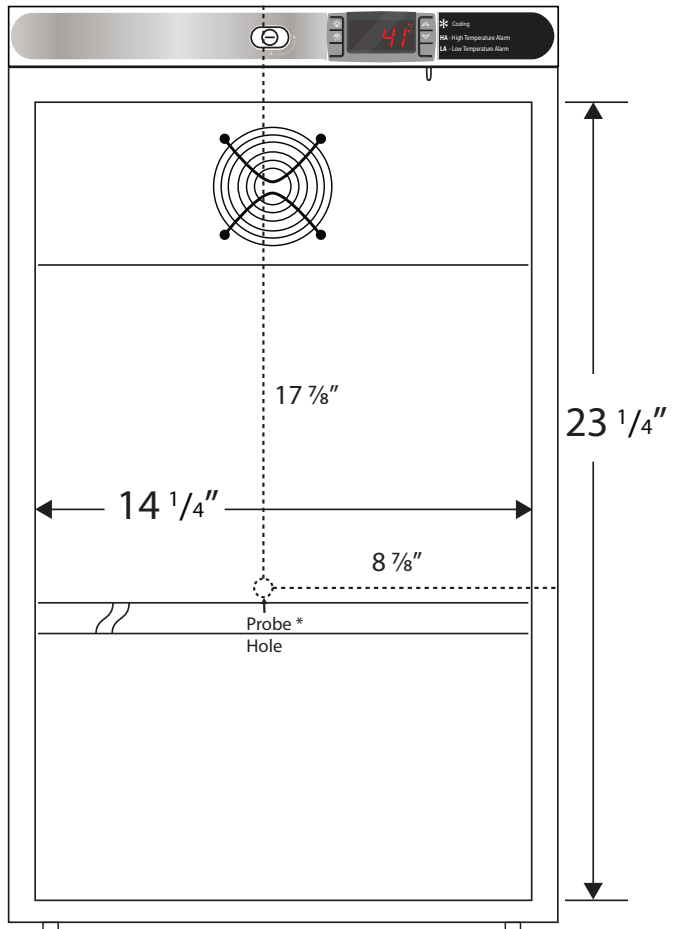
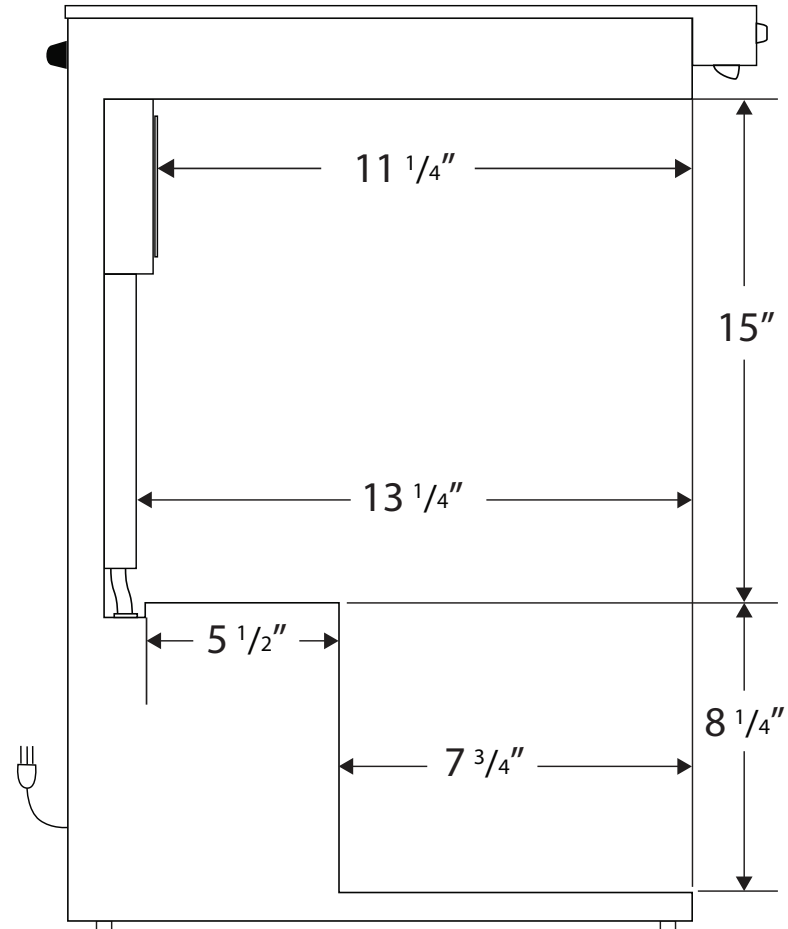


CUTSHEET

Front View



Side View



115VAC/60Hz/1PH
NEMA-5-15P

Cu. Ft	Defrost	Door	Int Door	Shelves	Interior Dim.			Refrigerant	H.P.	Amps	Weight
					W"	D"	H"				
2.5	Cycle	1 Solid	0	4 Adj	14 1/4	13 1/4	23 1/4	R600a	1/8	.90	68 lbs.

Note: Interior dimensions are estimates and subject to change without notice